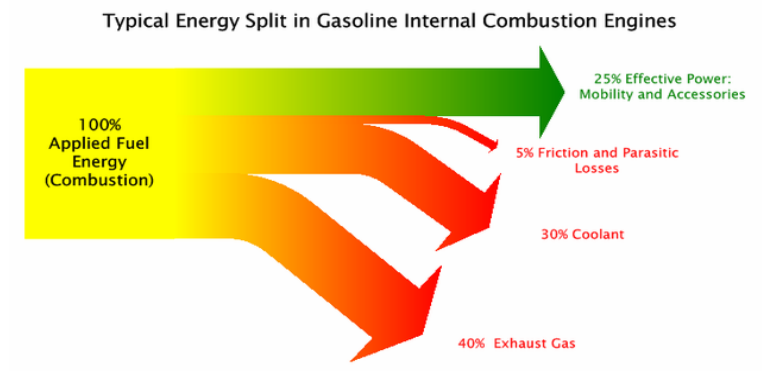
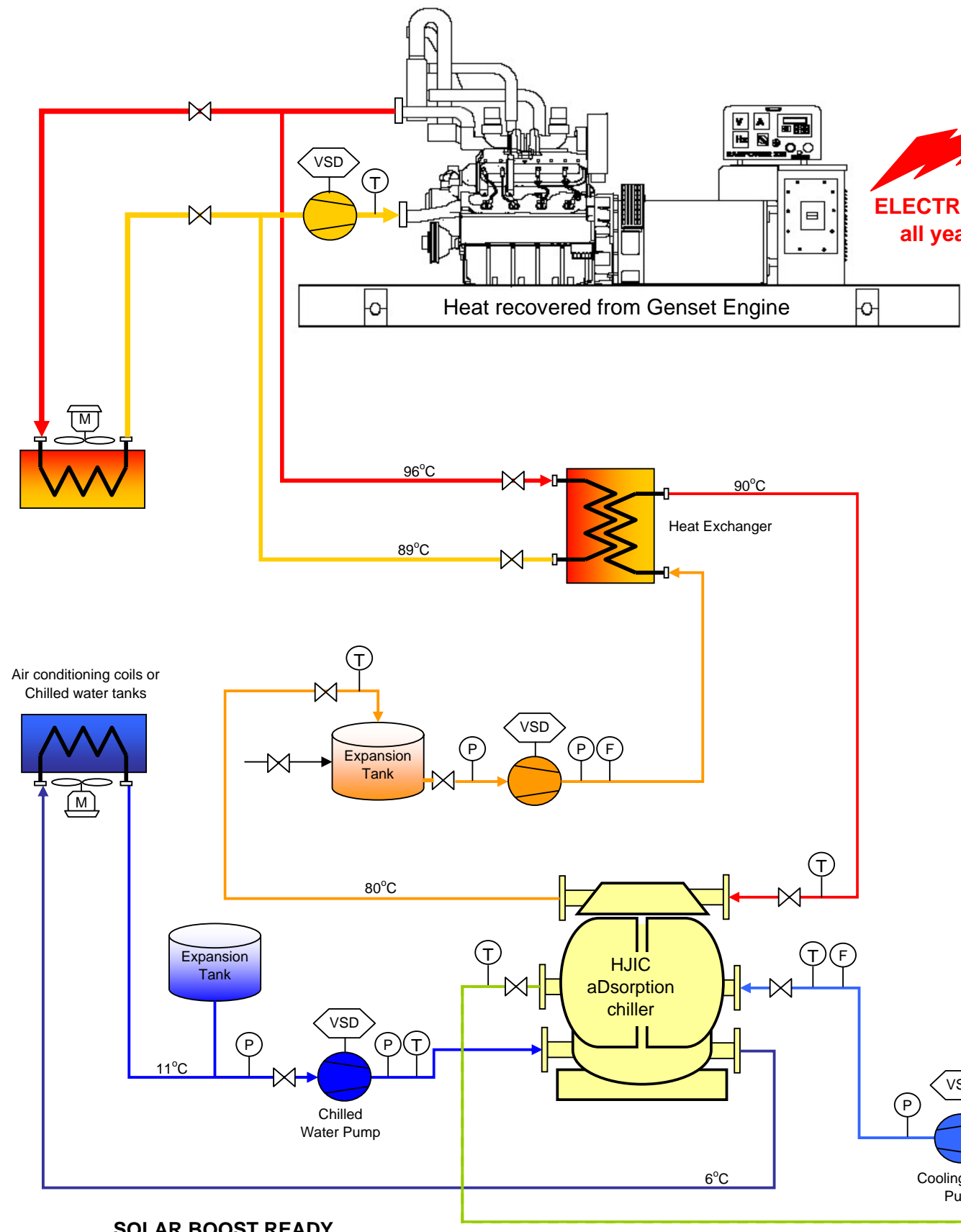


ENERGY EFFICIENCY IMPROVEMENTS AND COST SAVINGS USING ADSORPTION CHILLER COOLING



CO-GENERATION - Combined Heat & Power (CHP)

1,000 kW Gas fueled generator can also produce 400 kW of cooling by using only the engine's jacket water. Additional cooling can be provided by also harnessing some of the exhaust gas heat.

The NG cost to produce 1,400 kW of useful energy is <\$110/hr, whereas buying in electricity to perform the same amount of work would cost >\$140/hr. That's a savings of >\$30/hr.

The reduction in green house gas emissions is ~40%.
The reduction in water usage can be as much as 60%.

Thermal efficiency is raised >25%.

